

---

## POINT.Z

---



INFO  
MORE LANGUAGES

[www.varonaleads.com/arq\\_catalogue/POINTZ.pdf](http://www.varonaleads.com/arq_catalogue/POINTZ.pdf)





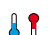

### DESCRIPTION

POINT is a point lamp to create decorative effects. Available with different PMMA covers and different powers. Its main applications are landscape, buildings, bridge or shopping mall lighting.

### MATERIALS

Aluminum alloy housing  
Tempered glass  
Akzo Nobel powder coating

### TECHNICAL

	CREE SMD LEDs		12Vdc
	IP66		10W 4in1
	-35°C/50°C		400lm



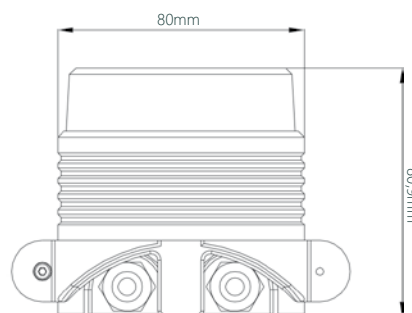
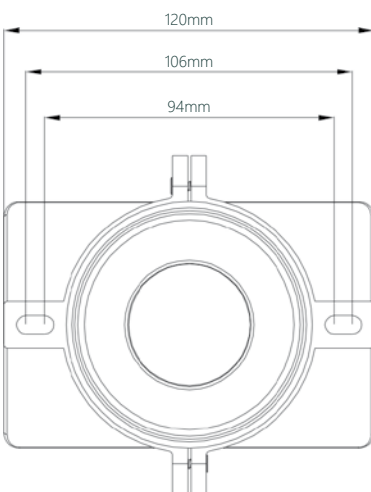
## REFERENCE

Reference	Series	Voltage	Power	Color	Control	LED Qty.
VL-9010-RGB-3,7	POINT.Z	12 Vdc	10 W	C	-	1 pcs
VL-9011-RGBW-120	POINT.Z	12 Vdc	10 W	RGB	DMX512	1 pcs

## COLORS



## DIMENSIONS



## OPTICS

